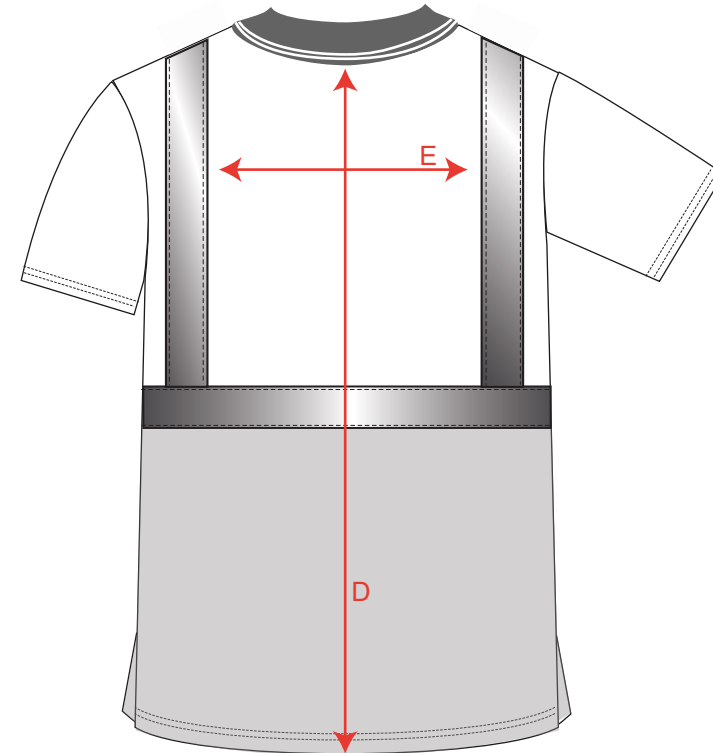
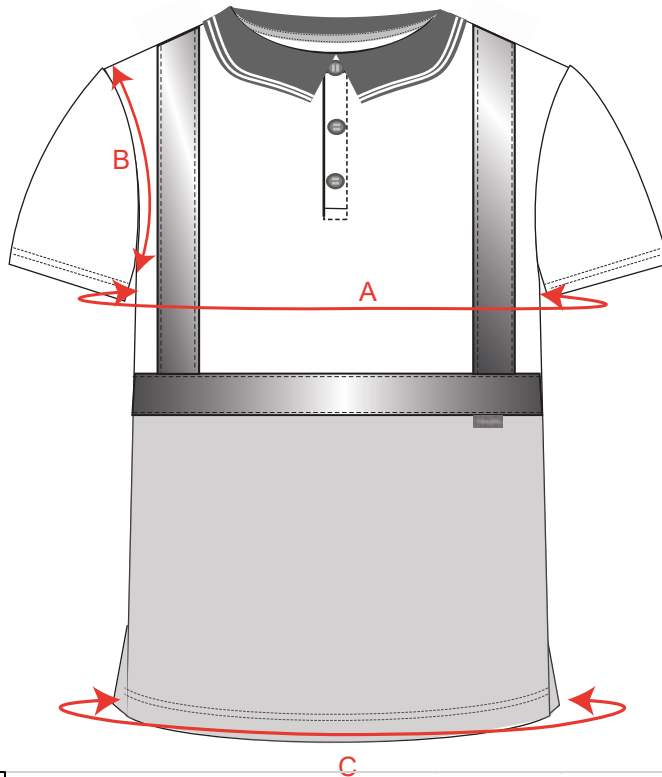


STYLE NO: S479

DESCRIPTION: Hi-Vis Two Tone Polo Shirt

FABRIC: 100% Polyester birdeye Knit

COLOUR:



		Measurements in cm:										
Area:		XS	S	M	L	XL	XXL	3XL	4XL	5XL	6XL	7XL
		80-88	92-96	100-104	108-112	116-124	128-132	136-144	148-152	152-160	164-172	176-184
A.	Chest	98	106	114	122	134	142	150	158	170	182	194
B.	Armhole	25	26	27	28	29.5	30.5	31.5	32.5	34	35.5	37
C.	Hem circumference	98	106	114	122	134	142	150	158	170	182	194
D.	Centre Back Length	74	76	76	76	76	76	78	78	80	80	82
E.	Distance between Vertical Bands of Reflective Tape	22	23	24	25	26	27	28	29	30	31	32

STYLE
NO: TBC

DESCRIPTION: Quote 26330

FABRIC: 100% Polyester Warp Knit 125gsm

COLOUR: Yellow

STYLE NO: TBC

DESCRIPTION: Quote 26330

FABRIC: 100% Polyester Warp Knit 125gsm

COLOUR: Yellow

STYLE
NO: G475

DESCRIPTION: Hi-Vis Glowtex Executive Jacket

FABRIC: 100% Polyester Warp Knit 125gsm

COLOUR: **Orange**

STYLE
NO: G475

DESCRIPTION: Hi-Vis Glowtex Executive Jacket

FABRIC: 100% Polyester Warp Knit 125gsm

COLOUR: